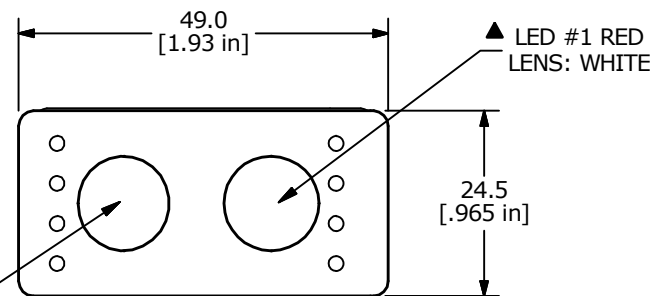
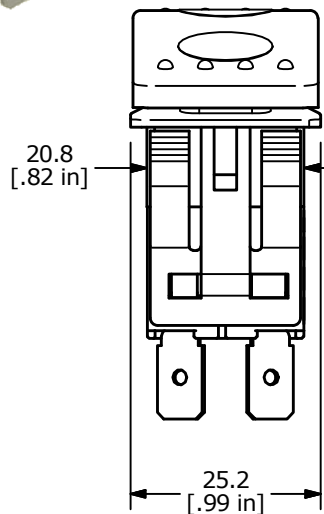
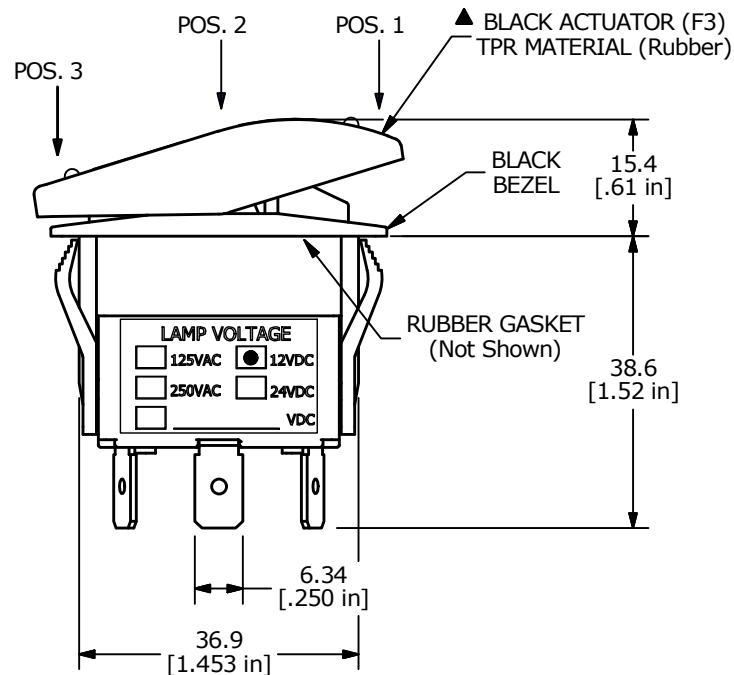


RECOMMENDED PANEL CUT-OUT

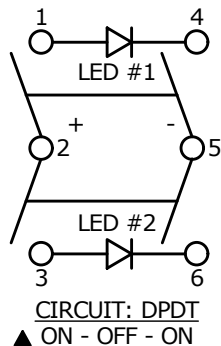
PANEL THICKNESS	X
1.0 - 1.5	37.3 <sup>+0.0</sup> / <sub>-0.1</sub>
2.5 - 3.0	37.5 <sup>+0.0</sup> / <sub>-0.1</sub>
3.5 - 4.5	37.7 <sup>+0.0</sup> / <sub>-0.1</sub>



LED #2 RED LENS: WHITE



▲ SWITCH FUNCTION		
POS. 1	POS. 2	POS. 3
ON	OFF	ON
1-2, 4-5	OFF	2-3, 5-6



NOTES:

- ALL DIMENSIONS IN MM [INCH]
- GENERAL TOLERANCE: X.X = ±0.4  
X.XX = ±0.25
- TERM. NOS. FOR REF. ONLY
- RATING: 16A @ 6-30VDC, 50/60 Hz, μT85/T55
- ELECTRICAL LIFE: 10,000 CYCLES
- MECHANICAL LIFE: 30,000 CYCLES
- CONTACT RESISTANCE: <20 MILLI-OHMS INITIAL
- DIELECTRIC STRENGTH: >1,500V AC 1MIN
- INSULATION RESISTANCE: >100 MOHMS @ 500VDC
- OPERATING TEMP: 0°C to 55°C
- ▲ LED VOLTAGE: 12VDC
- ▲ DENOTES CRITICAL PARAMETER.
- 2011/65/EU (ROHS) COMPLIANT



A	23274	New Release	3/23/18	MW
REV	PCR NO	DESCRIPTION	DATE	BY

TITLE R723FF3-SXXX2B4RRW				
SCALE 1:1	DATE 3/23/2018	DR MW	DWG C700040	REV A

THE INFORMATION CONTAINED IN THIS DOCUMENT IS PROPRIETARY TO E-SWITCH AND IS NOT TO BE COPIED OR TRANSFERRED